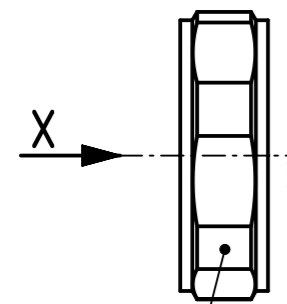
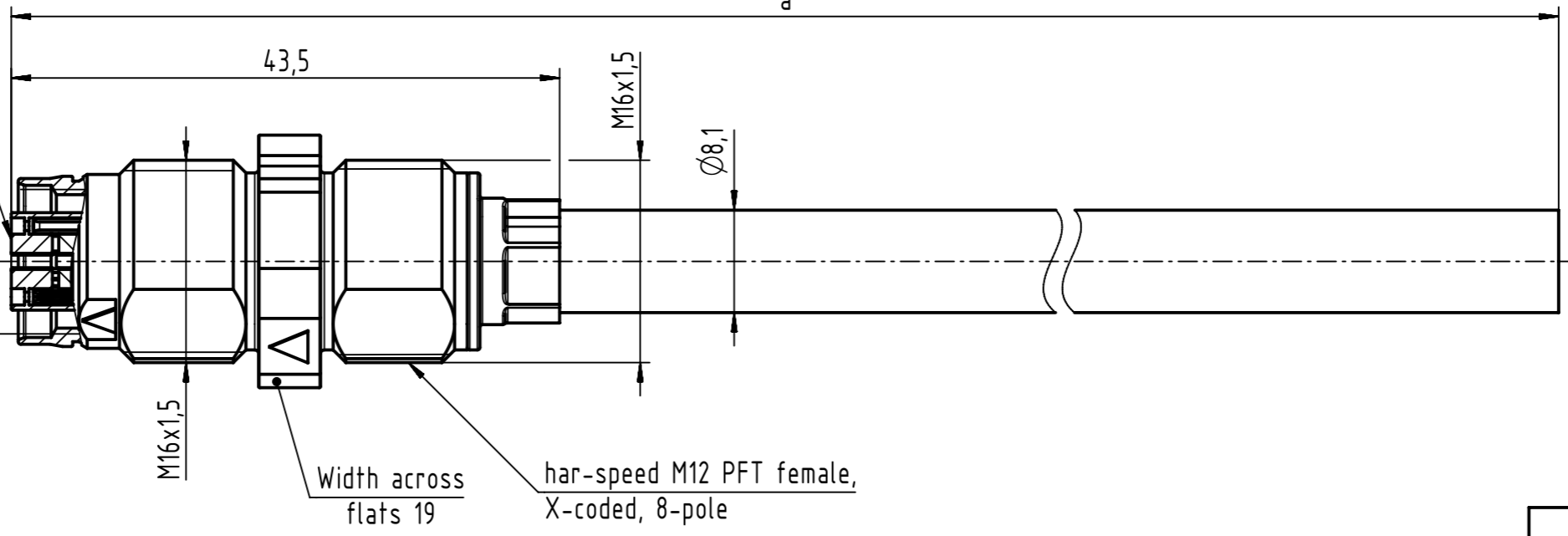


Mating face acc. to
IEC 61076-2-109



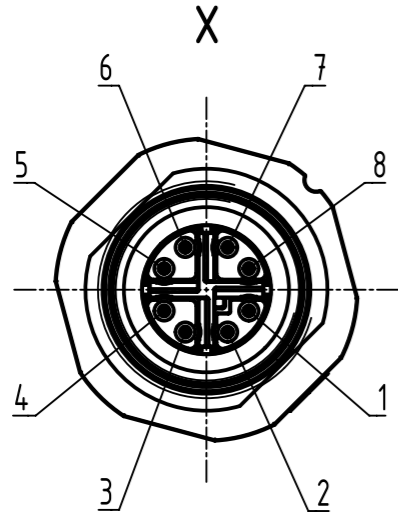
Width across
flats 18



M16x1,5

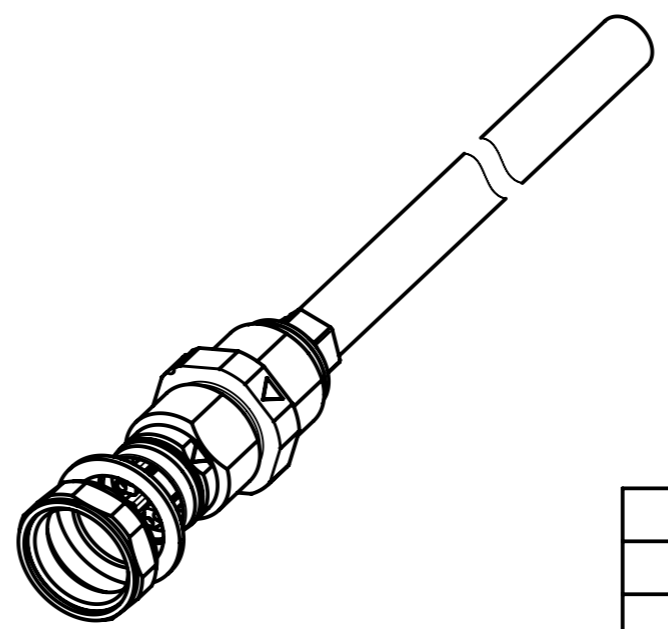
Width across
flats 19

har-speed M12 PFT female,
X-coded, 8-pole



Loading-Plan

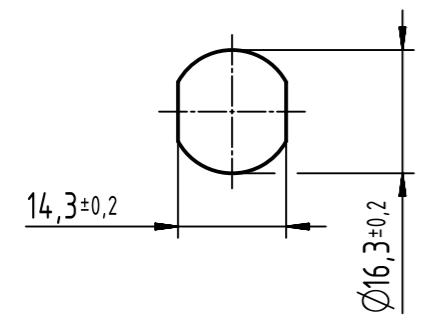
- Shield
- 1 White/orange
- 2 Orange
- 3 White/green
- 4 Green
- 5 White/brown
- 6 Brown
- 7 White/blue
- 8 Blue



6.0 to 100	±1%
0.6 to 5.9	+0.04
0.2 to 0.5	+0.02
a [m]	tolerance

length in "1m" step	100	XXX=000
	99	XXX=990
	.	.
	12	XXX=120
	11	XXX=110
length in "0.1m" step	10	XXX=100
	9.9	XXX=099
	9.8	XXX=098
	.	.
	0.5	XXX=005
	0.4	XXX=004
	0.3	XXX=003
	0.2	XXX=002
step	a[m]	XXX

Panel cut out



RJI Cable 4x2xAWG 24/7, EtherRail, CAT7, black	21330700853XXX
Type of cable	Part no.

	All rights reserved		Scale 2:1		Free size tol.		Ref.		
	Department EC PD - RO		Created by POPESCUD	Inspected by AVRAM	Standardisation HOFFMANN	Date 2017-05-23	State Final Release		
HARTING Electronics GmbH D-32339 Espelkamp		Title har-speed M12 flying cable D=8,1				Doc-Key / ECM-Nr. 100605359/UGD/000/E 500000119849		Rev. E	
		Type TB	Number 21330700853XXX			Page 1/1			